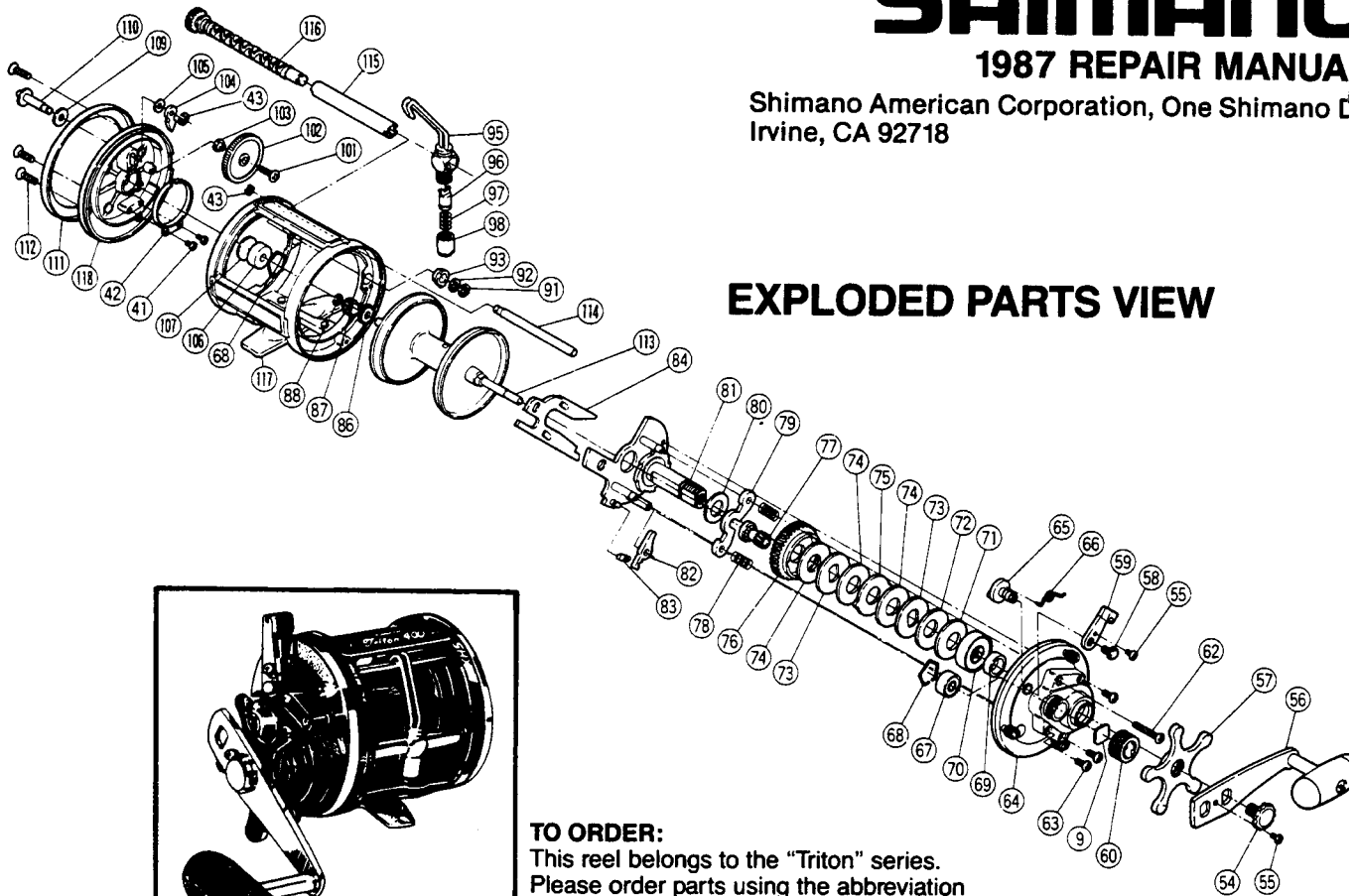


SHIMANO

1987 REPAIR MANUA

Shimano American Corporation, One Shimano C
Irvine, CA 92718



EXPLODED PARTS VIEW

TO ORDER:

This reel belongs to the "Triton" series.
Please order parts using the abbreviation
"TRN" and the part number.

TRITON[®] 400

PARTS LIST

PART# DESCRIPTION

- 9. Cast Control Spacer
- 41. Click Spring Screw
- 42. Click Spring
- 43. C-Lock "A"
- 54. Handle Bolt
- 55. Handle Bolt Lock Screw
- 56. Handle
- 57. Drag Star
- 58. Clutch Lever Screw
- 59. Clutch Lever
- 60. Cast Control Cap
- 62. Right Side Plate Screw
- 63. Set Plate Screw
- 64. Right Side Plate
- 65. Eccentric Cam
- 66. Eccentric Cam Spring
- 67. Right Spool Shaft Bearing
- 68. Right Bearing Lock
- 69. Drag Tube
- 70. Drag Bearing
- 71. Soft Spring Washer

PART# DESCRIPTION

- 72. Hard Spring Washer
- 73. Drag Disk
- 74. Drag Washer
- 75. Key Washer
- 76. Drive Gear
- 77. Pinion Gear
- 78. Pinion Yoke Spring
- 79. Pinion Yoke
- 80. Base Drag Washer
- 81. Set Plate
- 82. Anti Reverse Dog
- 83. A/R Dog Spring
- 84. Eccentric Jack
- 86. Click Gear
- 87. Spool Shaft Gear
- 88. Spool Shaft Gear Lock
- 91. C-Lock "B"
- 92. L/W Gear Washer
- 93. Level Wind Bearing
- 95. Line Guide
- 96. Level Wind Pawl

PART# DESCRIPTION

- 97. Pawl Shim (Optional)
- 98. Pawl Cap
- 101. L/W Drive Gear Screw
- 102. L/W Drive Gear
- 103. L/W Drive Gear Spacer
- 104. Click Pawl
- 105. Click Pawl Washer
- 106. Left Spool Shaft Bushing
- 107. Friction Shim
- 109. Click Button Washer
- 110. Click Button
- 111. Left Side Ring
- 112. Left Side Plate Screw
- 113. Spool
- 114. Line Guide Stabilizer Bar
- 115. Level Wind Guard
- 116. Level Wind Gear
- 117. Frame
- 118. Left Side Plate
- SATRTN400 - Complete Spool Assy.

Prices and specifications subject to change without notice

JUNE 1986